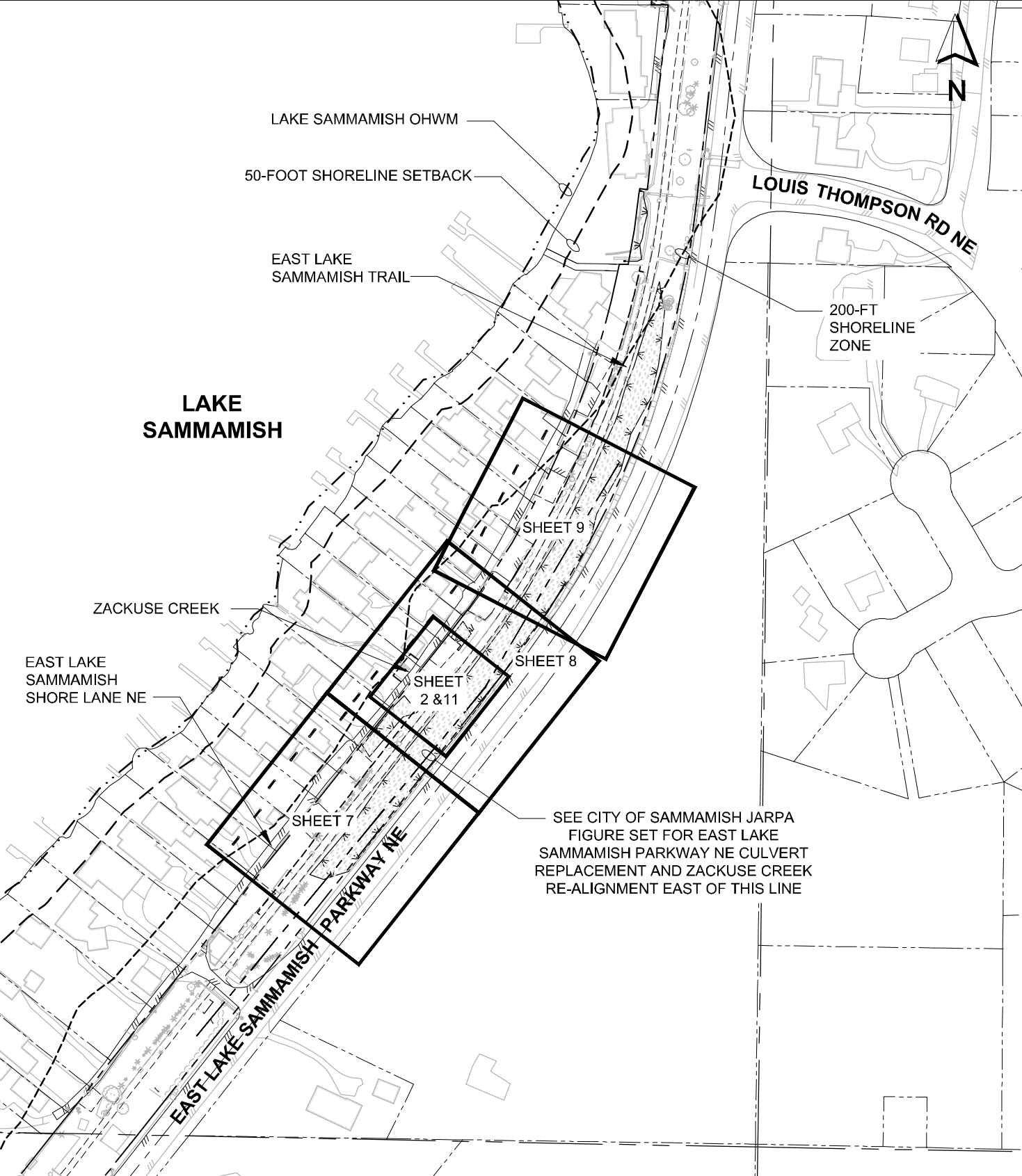


FILE: P:\1921075\F19103J-01-NEW LAYOUT: 1SHEET INDEX PATH: C:\PWX\Temp\AcPublish_8228\ PLOTTED BY: millimal DATE: Wednesday, May 24, 2017 2:26:02 PM




SEE CITY OF SAMMAMISH JARPA
FIGURE SET FOR EAST LAKE
SAMMAMISH PARKWAY NE CULVERT
REPLACEMENT AND ZACKUSE CREEK
RE-ALIGNMENT EAST OF THIS LINE

PROPOSED PROJECT: ZACKUSE CREEK CULVERT REPLACEMENT AND FISH HABITAT IMPROVEMENT PROJECT
REPLACE DEFICIENT CULVERTS W/ FISH PASSABLE BOX CULVERTS AT EAST LAKE SAMMAMISH TRAIL AND EAST LAKE SAMMAMISH SHORE LN NE. INCLUDES TEMPORARY ACCESS ROUTE FOR RESIDENTS, CONSTRUCTION EQUIPMENT, AND EMERGENCY VEHICLES.

ADJACENT PROPERTY OWNERS: SEE JARPA ATTACHMENT C

REFERENCE NUMBER:

SHEET INDEX

0  200
SCALE 1" = 200'

APPLICANT: CITY OF SAMMAMISH

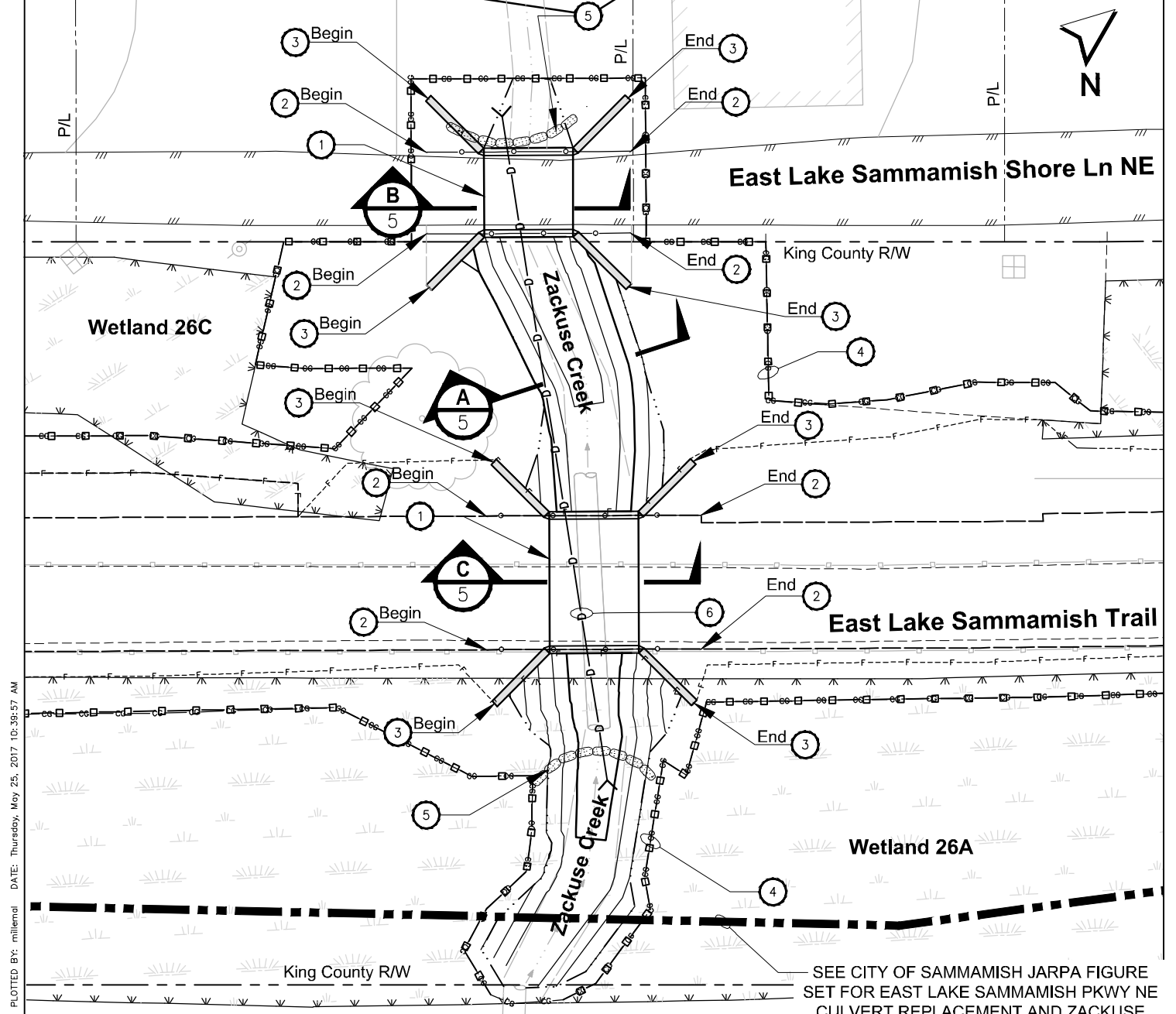
DATUM: VERT: NAVD 88
HORIZ: NAD 83 (CORPS.)

BASIN: EAST LAKE SAMMAMISH

LOCATION: SAMMAMISH,
KING COUNTY WASHINGTON
S 8, 32, T 25N, R 6E, W.M.
LATITUDE: 47.6100N
LONGITUDE: 122.0703W

DATE: MAY 2017

B



FILE: PS1921075919103J-01-NEW LAYOUT: 2SITE PLAN PATH: C:\PMX\Temp\AcPublish_778D\ PLOTTED BY: millenal DATE: Thursday, May 25, 2017 10:39:57 AM

LEGEND:

- EXISTING WETLAND BOUNDARY
- EXISTING WETLAND BUFFER
- EXISTING DITCH
- EXISTING RIGHT OF WAY
- PROPOSED FILL LIMIT
- PROPOSED CUT LIMIT
- PROPOSED CLEARING/GRUBBING LIMIT
- EXISTING TREES

NOTES:

1. FISH EXCLUSION TO BE PERFORMED AT UPSTREAM AND DOWNSTREAM ENDS OF STREAM CONSTRUCTION AREA BEFORE CONSTRUCTION WORK MAY BEGIN.

CONSTRUCTION NOTES:

1. INSTALL FISH PASSABLE BOX CULVERT. SEE SHEETS 3-5 FOR DETAILS.
2. INSTALL COATED CHAIN LINK FENCE TYPE 6.
3. INSTALL WING WALL.

TESC NOTES:

4. INSTALL HIGH VISIBILITY SILT FENCE.
5. GRAVEL BAG DAM, DEWATER CONSTRUCTION AREA DURING CULVERT WORK.
6. INSTALL TEMPORARY BYPASS TO DIVERT WATER AROUND WORK ZONE, PROTECT DISCHARGE AREA FROM EROSION WITH PLASTIC SHEETING.

PROPOSED PROJECT: ZACKUSE CREEK CULVERT REPLACEMENT AND FISH HABITAT IMPROVEMENT PROJECT

REPLACE DEFICIENT CULVERTS W/ FISH PASSABLE BOX CULVERTS AT EAST LAKE SAMMAMISH TRAIL AND EAST LAKE SAMMAMISH SHORE LN NE. INCLUDES TEMPORARY ACCESS ROUTE FOR RESIDENTS, CONSTRUCTION EQUIPMENT, AND EMERGENCY VEHICLES.

ADJACENT PROPERTY OWNERS: SEE JARPA ATTACHMENT C

REFERENCE NUMBER:

SITE PLAN

0 20
SCALE 1" = 20'

APPLICANT: CITY OF SAMMAMISH

DATUM: VERT: NAVD 88
HORIZ: NAD 83 (CORPS.)

Basin: EAST LAKE SAMMAMISH

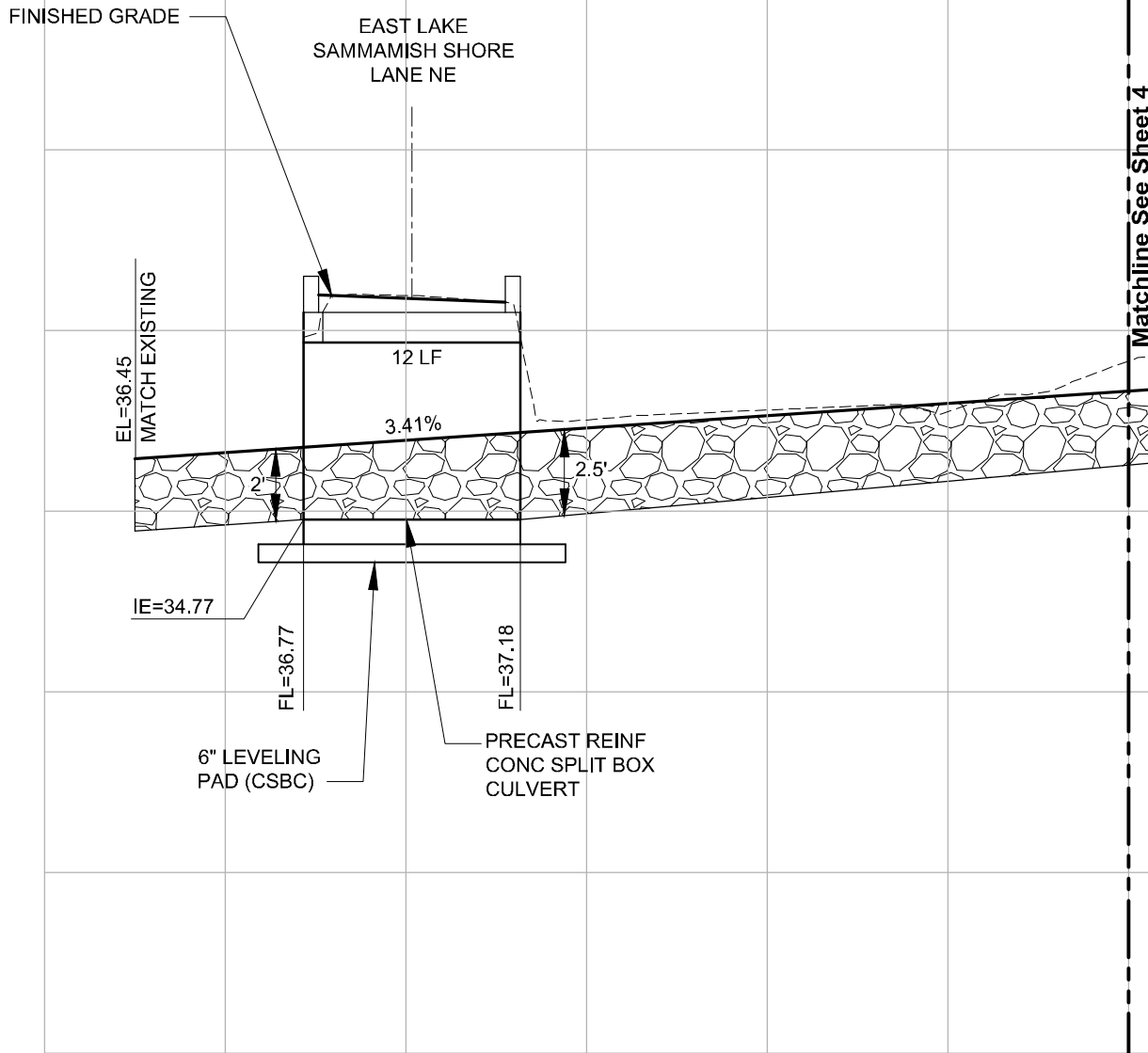
LOCATION: SAMMAMISH, KING COUNTY WASHINGTON
S 8, 32, T 25N, R 6E, W.M.
LATITUDE: 47.6100N
LONGITUDE: 122.0703W

DATE: MAY 2017

B

SHEET: 2 of 14

FILE: PS1921075F19103J-01-NEW LAYOUT: 3PROFILE PATH: C:\PMX\Temp\AcPublish_8228\ PLOTTED BY: mllemaal DATE: Wednesday, May 24, 2017 2:26:19 PM

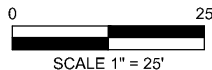


**ZACKUSE CREEK
PROFILE**

HORIZ: 1"=25'
VERT: 1"=5'

PROPOSED PROJECT: ZACKUSE CREEK CULVERT REPLACEMENT AND FISH HABITAT IMPROVEMENT PROJECT
 REPLACE DEFICIENT CULVERTS W/ FISH PASSABLE BOX CULVERTS AT EAST LAKE SAMMAMISH TRAIL AND EAST LAKE SAMMAMISH SHORE LN NE. INCLUDES TEMPORARY ACCESS ROUTE FOR RESIDENTS, CONSTRUCTION EQUIPMENT, AND EMERGENCY VEHICLES.
ADJACENT PROPERTY OWNERS: SEE JARPA ATTACHMENT C
REFERENCE NUMBER:

PROFILE

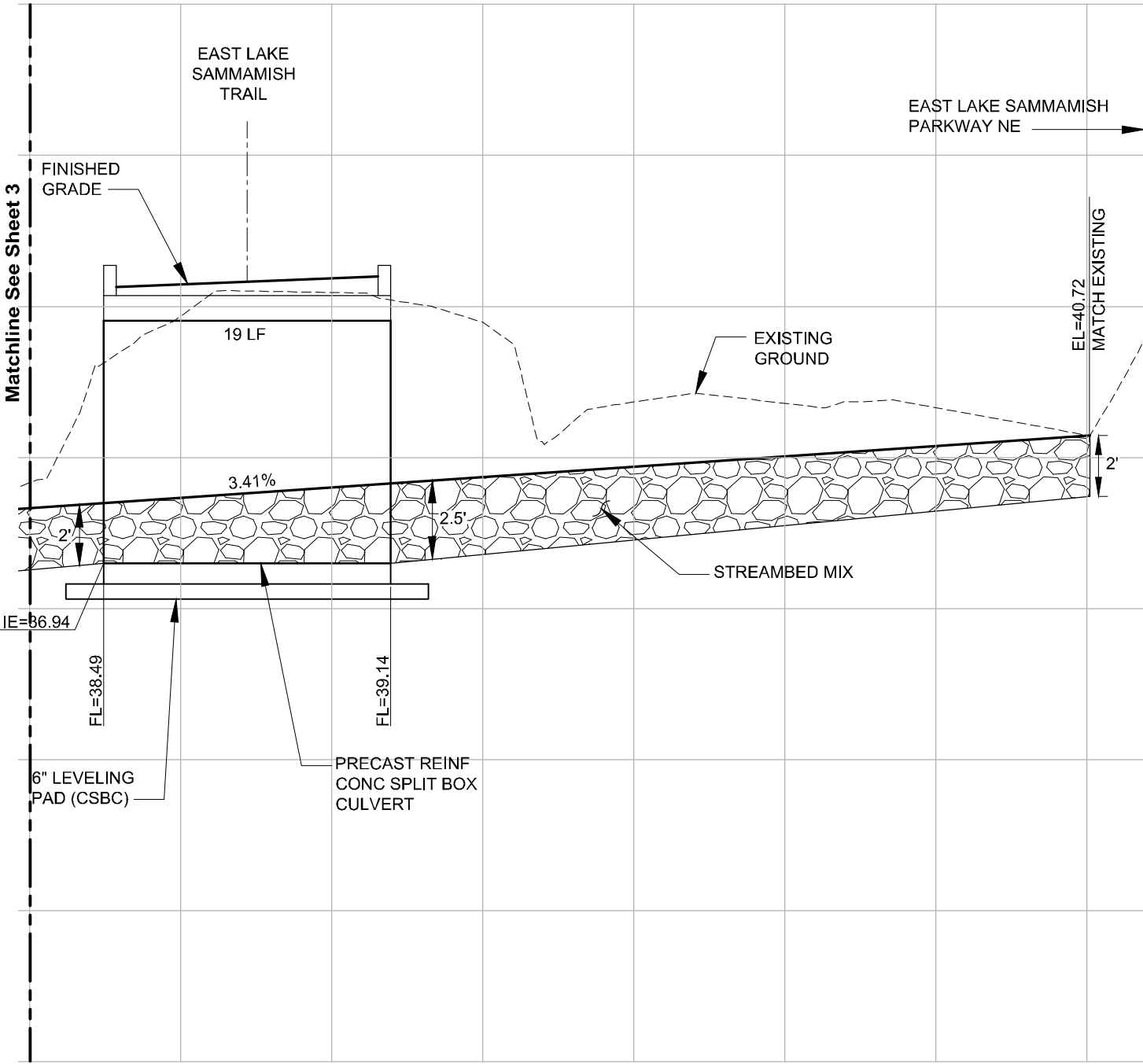


APPLICANT: CITY OF SAMMAMISH

DATUM: VERT: NAVD 88
HORIZ: NAD 83 (CORPS.)
BASIN: EAST LAKE SAMMAMISH
LOCATION: SAMMAMISH, KING COUNTY WASHINGTON
 S 8, 32, T 25N, R 6E, W.M.
 LATITUDE: 47.6100N
 LONGITUDE: 122.0703W
DATE: MAY 2017

B

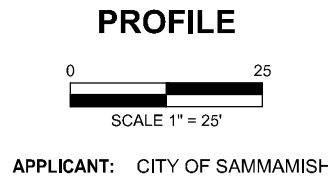
FILE: PS1921075P19103J-01-NEW LAYOUT: 4PROFILE PATH: C:\PMX\Temp\AcPublish\8228\ PLOTTED BY: mllema DATE: Wednesday, May 24, 2017 2:26:27 PM



**ZACKUSE CREEK
PROFILE**

HORIZ: 1"=25'
VERT: 1"=5'

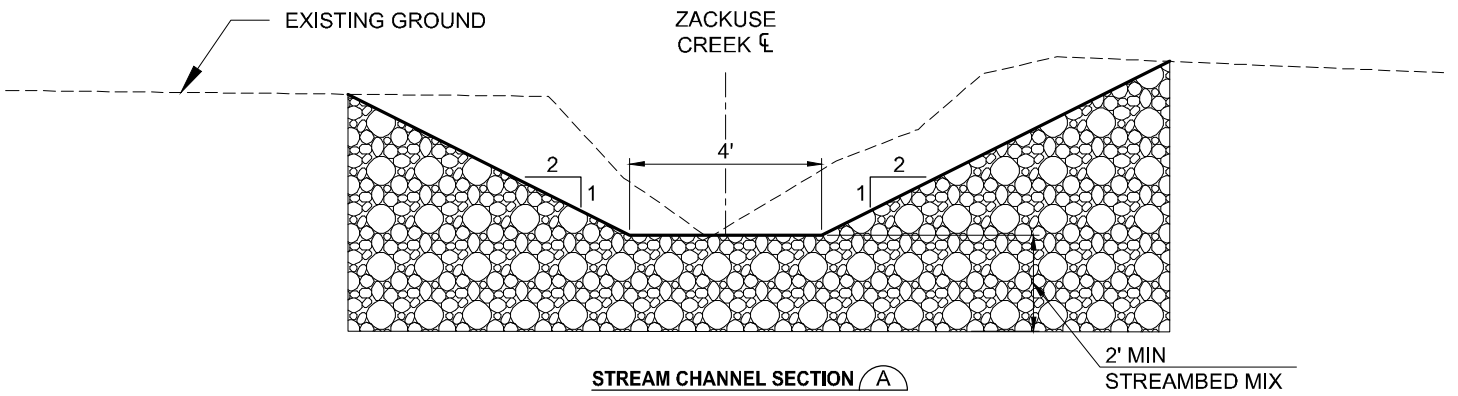
PROPOSED PROJECT: ZACKUSE CREEK CULVERT REPLACEMENT AND FISH HABITAT IMPROVEMENT PROJECT
 REPLACE DEFICIENT CULVERTS W/ FISH PASSABLE BOX CULVERTS AT EAST LAKE SAMMAMISH TRAIL AND EAST LAKE SAMMAMISH SHORE LN NE. INCLUDES TEMPORARY ACCESS ROUTE FOR RESIDENTS, CONSTRUCTION EQUIPMENT, AND EMERGENCY VEHICLES.
ADJACENT PROPERTY OWNERS: SEE JARPA ATTACHMENT C
REFERENCE NUMBER:



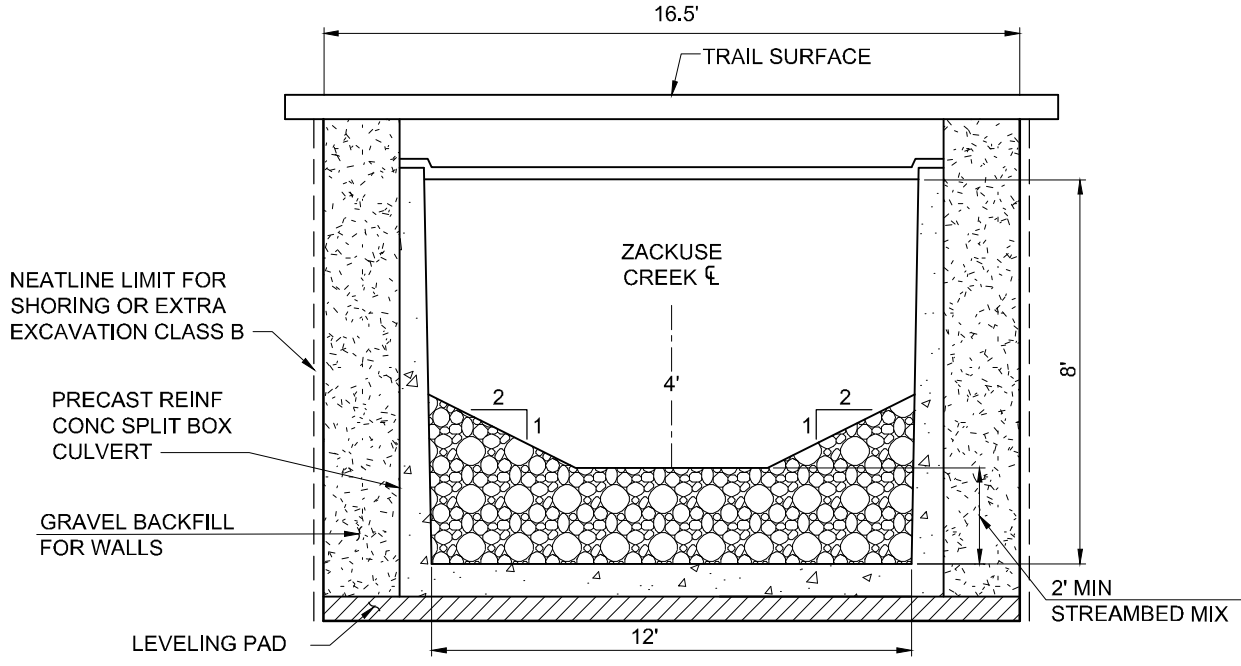
DATUM: VERT: NAVD 88
HORIZ: NAD 83 (CORPS.)
BASIN: EAST LAKE SAMMAMISH
LOCATION: SAMMAMISH, KING COUNTY WASHINGTON
 S 8, 32, T 25N, R 6E, W.M.
 LATITUDE: 47.6100N
 LONGITUDE: 122.0703W
DATE: MAY 2017

B

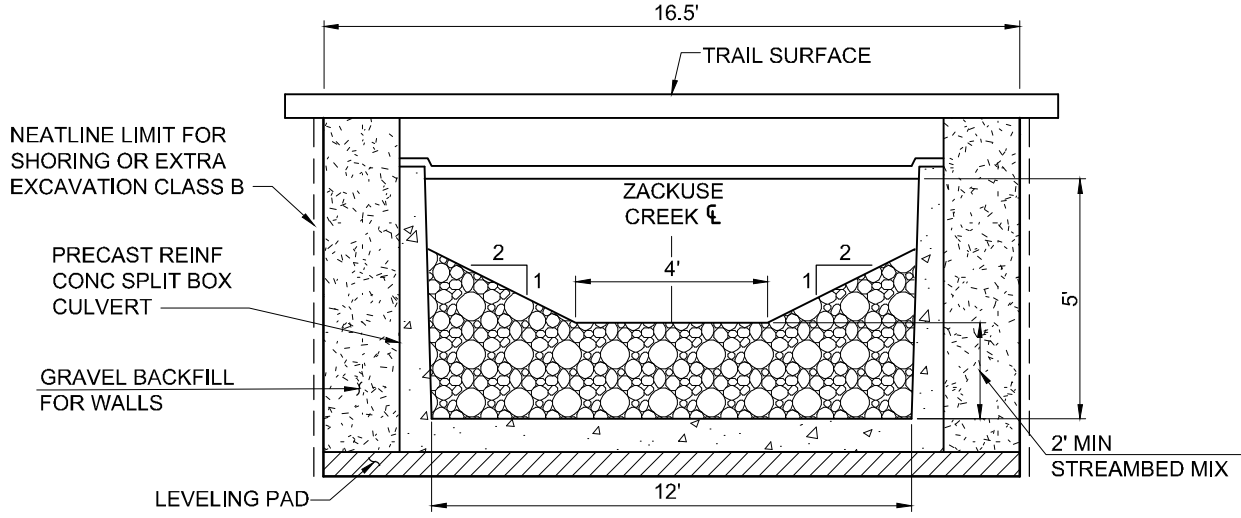
FILE: P:\1921075\F19103J-01-NEW LAYOUT: 5SECTIONS PATH: C:\PMX\Temp\AsPublish_8228\ DATE: Wednesday, May 24, 2017 2:26:54 PM PLOTTED BY: millerol



STREAM CHANNEL SECTION A



TRAIL CULVERT SECTION B



SHORE LN CULVERT SECTION C

PROPOSED PROJECT: ZACKUSE CREEK CULVERT REPLACEMENT AND FISH HABITAT IMPROVEMENT PROJECT
 REPLACE DEFICIENT CULVERTS W/ FISH PASSABLE BOX CULVERTS AT EAST LAKE SAMMAMISH TRAIL AND EAST LAKE SAMMAMISH SHORE LN NE. INCLUDES TEMPORARY ACCESS ROUTE FOR RESIDENTS, CONSTRUCTION EQUIPMENT, AND EMERGENCY VEHICLES.
ADJACENT PROPERTY OWNERS: SEE JARPA ATTACHMENT C
REFERENCE NUMBER:

TYPICAL SECTIONS



APPLICANT: CITY OF SAMMAMISH

DATUM: VERT: NAVD 88
 HORIZ: NAD 83 (CORPS.)
BASIN: EAST LAKE SAMMAMISH
LOCATION: SAMMAMISH, KING COUNTY WASHINGTON
 S 8, 32, T 25N, R 6E, W.M.
 LATITUDE: 47.6100N
 LONGITUDE: 122.0703W
DATE: MAY 2017

B

**LAKE
SAMMAMISH**

EAST LAKE
SAMMAMISH TRAIL

ZACKUSE CREEK CULVERT
CONSTRUCTION AREA AT
EAST LAKE SAMMAMISH
SHORE LANE NE

ACCESS ROUTE FOR
RESIDENTS NORTH OF
CONSTRUCTION AREA,
EMERGENCY VEHICLES
AND CONSTRUCTION
EQUIPMENT.

EAST LAKE
SAMMAMISH
SHORE LANE NE

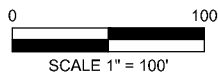
EAST LAKE SAMMAMISH PARKWAY NE

SEE CITY OF SAMMAMISH JARPA FIGURE
SET FOR EAST LAKE SAMMAMISH PKWY NE
CULVERT REPLACEMENT AND ZACKUSE
CREEK RE-ALIGNMENT EAST OF THIS LINE

ACCESS ROUTE FOR
RESIDENTS SOUTH OF
CONSTRUCTION AREA

PROPOSED PROJECT: ZACKUSE CREEK CULVERT REPLACEMENT AND FISH HABITAT IMPROVEMENT PROJECT
REPLACE DEFICIENT CULVERTS W/ FISH PASSABLE BOX CULVERTS AT EAST LAKE SAMMAMISH TRAIL AND EAST LAKE SAMMAMISH SHORE LN NE. INCLUDES TEMPORARY ACCESS ROUTE FOR RESIDENTS, CONSTRUCTION EQUIPMENT, AND EMERGENCY VEHICLES.
ADJACENT PROPERTY OWNERS: SEE JARPA ATTACHMENT C
REFERENCE NUMBER:

ACCESS ROUTE

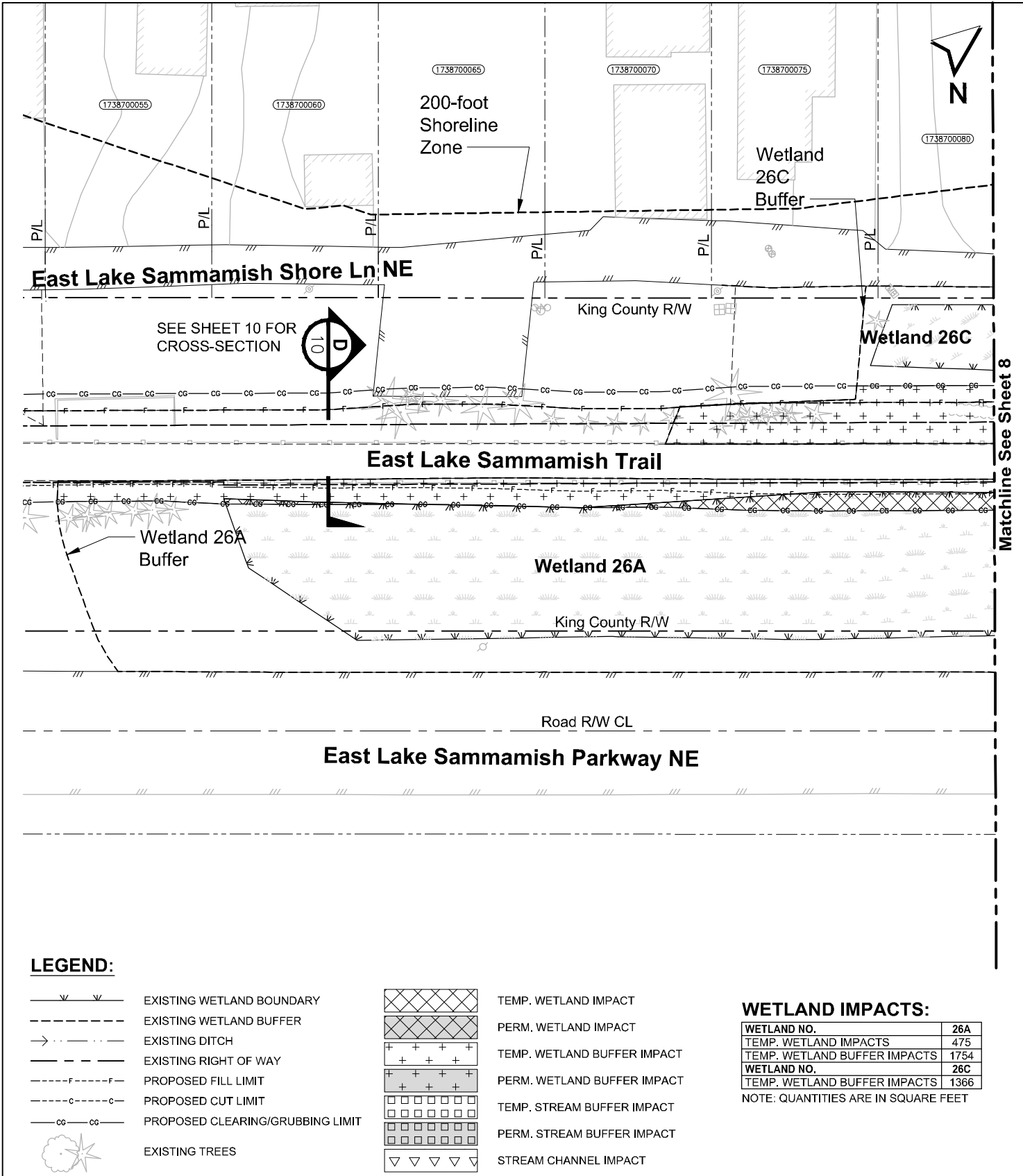


APPLICANT: CITY OF SAMMAMISH

DATUM: VERT: NAVD 88
HORIZ: NAD 83 (CORPS.)
BASIN: EAST LAKE SAMMAMISH
LOCATION: SAMMAMISH,
KING COUNTY WASHINGTON
S 8, 32, T 25N, R 6E, W.M.
LATITUDE: 47.6100N
LONGITUDE: 122.0703W
DATE: MAY 2017

B

FILE: P:\1921075\F19103J-01-NEW LAYOUT: 7IMPACTS DATE: Thursday, May 25, 2017 10:49:23 AM PLOTTED BY: miller



LEGEND:

- EXISTING WETLAND BOUNDARY
- EXISTING WETLAND BUFFER
- EXISTING DITCH
- EXISTING RIGHT OF WAY
- PROPOSED FILL LIMIT
- PROPOSED CUT LIMIT
- PROPOSED CLEARING/GRUBBING LIMIT
- EXISTING TREES

- TEMP. WETLAND IMPACT
- PERM. WETLAND IMPACT
- TEMP. WETLAND BUFFER IMPACT
- PERM. WETLAND BUFFER IMPACT
- TEMP. STREAM BUFFER IMPACT
- PERM. STREAM BUFFER IMPACT
- STREAM CHANNEL IMPACT

WETLAND IMPACTS:

WETLAND NO.	26A
TEMP. WETLAND IMPACTS	475
TEMP. WETLAND BUFFER IMPACTS	1754
WETLAND NO.	26C
TEMP. WETLAND BUFFER IMPACTS	1366

NOTE: QUANTITIES ARE IN SQUARE FEET

PROPOSED PROJECT: ZACKUSE CREEK CULVERT REPLACEMENT AND FISH HABITAT IMPROVEMENT PROJECT
 REPLACE DEFICIENT CULVERTS W/ FISH PASSABLE BOX CULVERTS AT EAST LAKE SAMMAMISH TRAIL AND EAST LAKE SAMMAMISH SHORE LN NE. INCLUDES TEMPORARY ACCESS ROUTE FOR RESIDENTS, CONSTRUCTION EQUIPMENT, AND EMERGENCY VEHICLES.
ADJACENT PROPERTY OWNERS: SEE JARPA ATTACHMENT C
REFERENCE NUMBER:

TEMPORARY ACCESS IMPACT PLAN

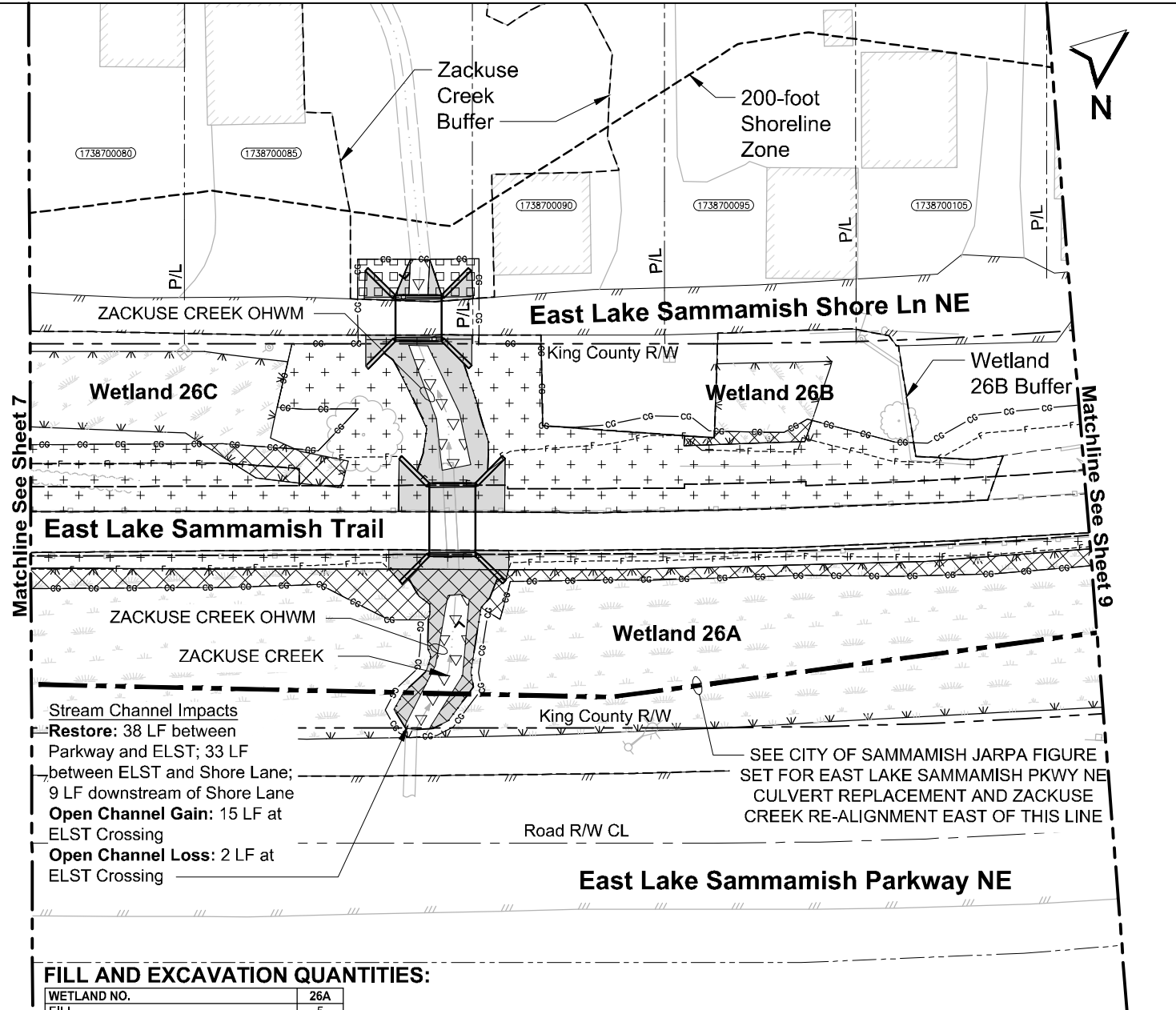
APPLICANT: CITY OF SAMMAMISH

DATUM: VERT: NAVD 88
 HORIZ: NAD 83 (CORPS.)
BASIN: EAST LAKE SAMMAMISH
LOCATION: SAMMAMISH, KING COUNTY WASHINGTON
 S 8, 32, T 25N, R 6E, W.M.
 LATITUDE: 47.6100N
 LONGITUDE: 122.0703W
DATE: MAY 2017

B

Matchline See Sheet 8

FILE: P:\50\Projects\Clients\1521-KingCo\554-1521-075-ELST\995ves\CADD\Phase 19\103_Civil\Figures\JARPA\ LAYOUT: 8IMPACTS DATE: Friday, May 26, 2017 1:46:02 PM PLOTTED BY: millenn



Stream Channel Impacts
Restore: 38 LF between Parkway and ELST; 33 LF between ELST and Shore Lane; 9 LF downstream of Shore Lane
Open Channel Gain: 15 LF at ELST Crossing
Open Channel Loss: 2 LF at ELST Crossing

SEE CITY OF SAMMAMISH JARPA FIGURE 1 SET FOR EAST LAKE SAMMAMISH PKWY NE CULVERT REPLACEMENT AND ZACKUSE CREEK RE-ALIGNMENT EAST OF THIS LINE

FILL AND EXCAVATION QUANTITIES:

WETLAND NO.	26A
FILL	5
EXCAVATION	31
ZACKUSE CREEK STREAM CHANNEL	
FILL	39
EXCAVATION	62

NOTE: QUANTITIES ARE IN CUBIC YARDS

WETLAND IMPACTS:

WETLAND NO.	26A
PERM. WETLAND IMPACTS (27 SF FILL)	399
TEMP. WETLAND IMPACTS	1141
PERM. WETLAND BUFFER IMPACTS	156
TEMP. WETLAND BUFFER IMPACTS	1121
WETLAND NO.	26C
TEMP. WETLAND IMPACTS	248
PERM. WETLAND BUFFER IMPACTS	777
TEMP. WETLAND BUFFER IMPACTS	2166
WETLAND NO.	26B
TEMP. WETLAND IMPACTS	99
TEMP. WETLAND BUFFER IMPACTS	2749

STREAM IMPACTS:

STREAM NAME: ZACKUSE CREEK	
PERM. STREAM CHANNEL IMPACTS	487
PERM. STREAM BUFFER IMPACTS	133
TEMP. STREAM BUFFER IMPACTS	157

NOTE: QUANTITIES ARE IN SQUARE FEET

LEGEND:

- EXISTING WETLAND BOUNDARY
- EXISTING WETLAND BUFFER
- EXISTING DITCH
- EXISTING RIGHT OF WAY
- PROPOSED FILL LIMIT
- PROPOSED CUT LIMIT
- PROPOSED CLEARING/GRUBBING LIMIT
- EXISTING TREES
- TEMP. WETLAND IMPACT
- PERM. WETLAND IMPACT
- TEMP. WETLAND BUFFER IMPACT
- PERM. WETLAND BUFFER IMPACT
- TEMP. STREAM BUFFER IMPACT
- PERM. STREAM BUFFER IMPACT
- STREAM CHANNEL IMPACT

PROPOSED PROJECT: ZACKUSE CREEK CULVERT REPLACEMENT AND FISH HABITAT IMPROVEMENT PROJECT
 REPLACE DEFICIENT CULVERTS W/ FISH PASSABLE BOX CULVERTS AT EAST LAKE SAMMAMISH TRAIL AND EAST LAKE SAMMAMISH SHORE LN NE. INCLUDES TEMPORARY ACCESS ROUTE FOR RESIDENTS, CONSTRUCTION EQUIPMENT, AND EMERGENCY VEHICLES.
ADJACENT PROPERTY OWNERS: SEE JARPA ATTACHMENT C
REFERENCE NUMBER:

CULVERT AND TEMPORARY ACCESS IMPACT PLAN

0 40

 SCALE 1" = 40'

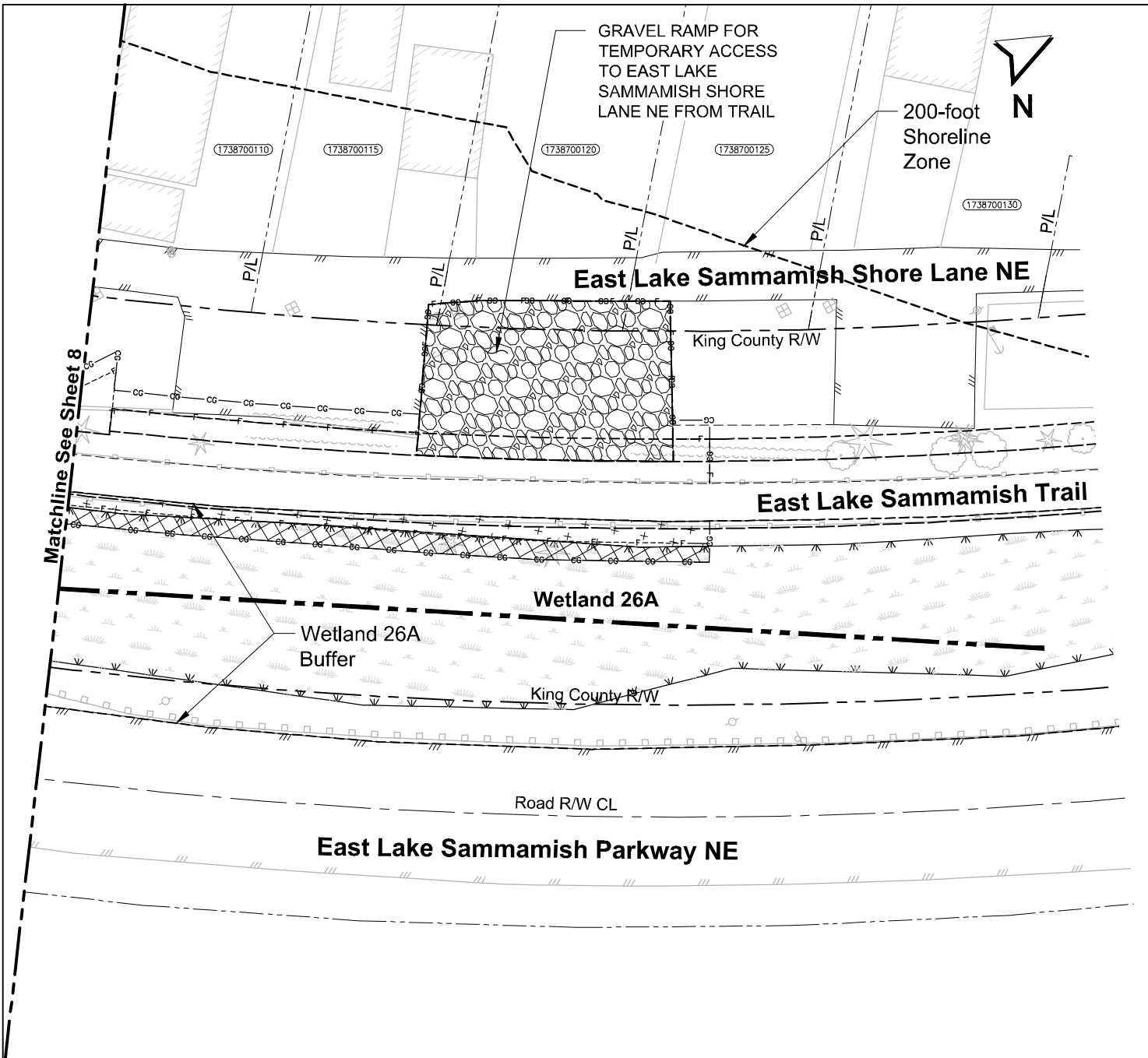
APPLICANT: CITY OF SAMMAMISH

DATUM: VERT: NAVD 88
 HORIZ: NAD 83 (CORPS.)
Basin: EAST LAKE SAMMAMISH
LOCATION: SAMMAMISH, KING COUNTY WASHINGTON
 S 8, 32, T 25N, R 6E, W.M.
 LATITUDE: 47.6100N
 LONGITUDE: 122.0703W

B

DATE: MAY 2017 **SHEET:** 8 of 14

FILE: P:\1921075\F19103J-01-NEW LAYOUT: 9IMPACTS PATH: U:\PSO\Projects\Clients\1521-KingCo\554-1521-075-ELST\995ves\CADD\Phase 19\103_Civil\Figures\ARPA\ PLOTTED BY: millenol DATE: Thursday, May 25, 2017 10:51:17 AM



LEGEND:

- EXISTING WETLAND BOUNDARY
- EXISTING WETLAND BUFFER
- EXISTING DITCH
- EXISTING RIGHT OF WAY
- PROPOSED FILL LIMIT
- PROPOSED CUT LIMIT
- PROPOSED CLEARING/GRUBBING LIMIT
- EXISTING TREES

- TEMP. WETLAND IMPACT
- PERM. WETLAND IMPACT
- TEMP. WETLAND BUFFER IMPACT
- PERM. WETLAND BUFFER IMPACT
- TEMP. STREAM BUFFER IMPACT
- PERM. STREAM BUFFER IMPACT
- STREAM CHANNEL IMPACT

WETLAND IMPACTS:

WETLAND NO.	26A
TEMP. WETLAND IMPACTS	870
TEMP. WETLAND BUFFER IMPACTS	871

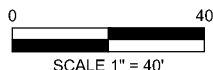
NOTE: QUANTITIES ARE IN SQUARE FEET

PROPOSED PROJECT: ZACKUSE CREEK CULVERT REPLACEMENT AND FISH HABITAT IMPROVEMENT PROJECT
 REPLACE DEFICIENT CULVERTS W/ FISH PASSABLE BOX CULVERTS AT EAST LAKE SAMMAMISH TRAIL AND EAST LAKE SAMMAMISH SHORE LN NE. INCLUDES TEMPORARY ACCESS ROUTE FOR RESIDENTS, CONSTRUCTION EQUIPMENT, AND EMERGENCY VEHICLES.

ADJACENT PROPERTY OWNERS: SEE JARPA ATTACHMENT C

REFERENCE NUMBER:

TEMPORARY ACCESS IMPACT PLAN



APPLICANT: CITY OF SAMMAMISH

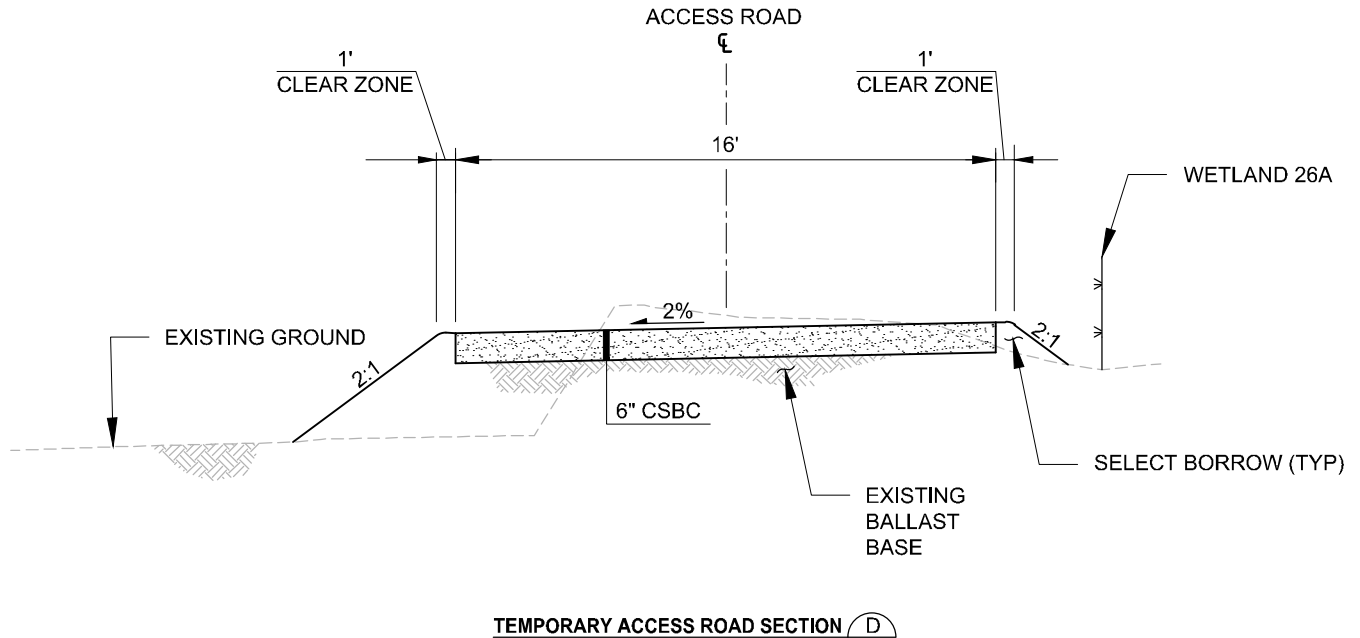
DATUM: VERT: NAVD 88
 HORIZ: NAD 83 (CORPS.)
BASIN: EAST LAKE SAMMAMISH
LOCATION: SAMMAMISH, KING COUNTY WASHINGTON
 S 8, 32, T 25N, R 6E, W.M.
 LATITUDE: 47.6100N
 LONGITUDE: 122.0703W

B

DATE: MAY 2017

SHEET: 9 of 14

FILE: PS1921075F19103J-01-NEW LAYOUT: 10ACCESSDITL PATH: C:\PMX\Temp\AcPublish_8228\ PLOTTED BY: millermal DATE: Wednesday, May 24, 2017 2:27:23 PM



PROPOSED PROJECT: ZACKUSE CREEK CULVERT REPLACEMENT AND FISH HABITAT IMPROVEMENT PROJECT
 REPLACE DEFICIENT CULVERTS W/ FISH PASSABLE BOX CULVERTS AT EAST LAKE SAMMAMISH TRAIL AND EAST LAKE SAMMAMISH SHORE LN NE. INCLUDES TEMPORARY ACCESS ROUTE FOR RESIDENTS, CONSTRUCTION EQUIPMENT, AND EMERGENCY VEHICLES.
ADJACENT PROPERTY OWNERS: SEE JARPA ATTACHMENT C
REFERENCE NUMBER:

ACCESS ROAD SECTIONS

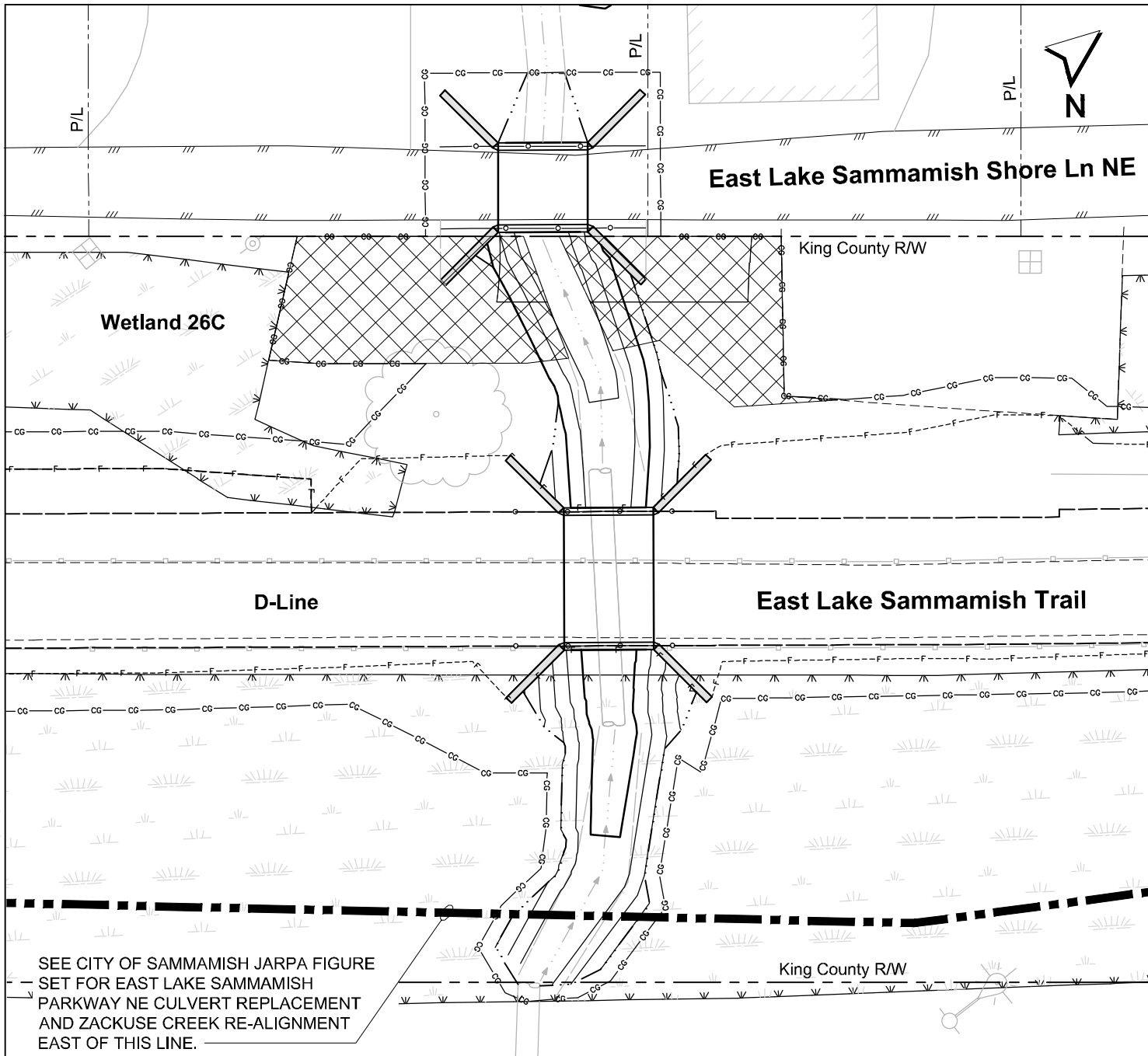
0 NO SCALE

APPLICANT: CITY OF SAMMAMISH

DATUM: VERT: NAVD 88
 HORIZ: NAD 83 (CORPS.)
BASIN: EAST LAKE SAMMAMISH
LOCATION: SAMMAMISH, KING COUNTY WASHINGTON
 S 8, 32, T 25N, R 6E, W.M.
 LATITUDE: 47.6100N
 LONGITUDE: 122.0703W
DATE: MAY 2017

B

FILE: PS1921075F19103J-01-NEW LAYOUT: 11LANDSCAPE PATH: c:\pwx\Temp\AcPublish_7780\ PLOTTED BY: millennial DATE: Thursday, May 25, 2017 10:40:27 AM



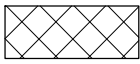
SEE CITY OF SAMMAMISH JARPA FIGURE SET FOR EAST LAKE SAMMAMISH PARKWAY NE CULVERT REPLACEMENT AND ZACKUSE CREEK RE-ALIGNMENT EAST OF THIS LINE.

LEGEND:

- EXISTING WETLAND BOUNDARY
- EXISTING WETLAND BUFFER
- EXISTING DITCH
- EXISTING RIGHT OF WAY
- PROPOSED FILL LIMIT
- PROPOSED CUT LIMIT
- PROPOSED CLEARING/GRUBBING LIMIT
- EXISTING TREES

CONSTRUCTION NOTES:

- 1 PROTECT EXISTING NATIVE TREES AND SHRUBS; REMOVE BLACKBERRY AND OTHER UNWANTED INVASIVE PLANTS; AMEND SOIL WITH COMPOST; PLANT WITH NATIVE BUFFER PLANTS AND PLACE WOOD CHIP MULCH OVER ENTIRE AREA.



STREAM BUFFER ENHANCEMENT AREA

STREAM BUFFER ENHANCEMENT:

STREAM NAME: ZACKUSE CREEK
STREAM BUFFER ENHANCEMENT AREA 1081

NOTE: QUANTITIES ARE IN SQUARE FEET

PROPOSED PROJECT: ZACKUSE CREEK CULVERT REPLACEMENT AND FISH HABITAT IMPROVEMENT PROJECT
 REPLACE DEFICIENT CULVERTS W/ FISH PASSABLE BOX CULVERTS AT EAST LAKE SAMMAMISH TRAIL AND EAST LAKE SAMMAMISH SHORE LN NE. INCLUDES TEMPORARY ACCESS ROUTE FOR RESIDENTS, CONSTRUCTION EQUIPMENT, AND EMERGENCY VEHICLES.
ADJACENT PROPERTY OWNERS: SEE JARPA ATTACHMENT C
REFERENCE NUMBER:

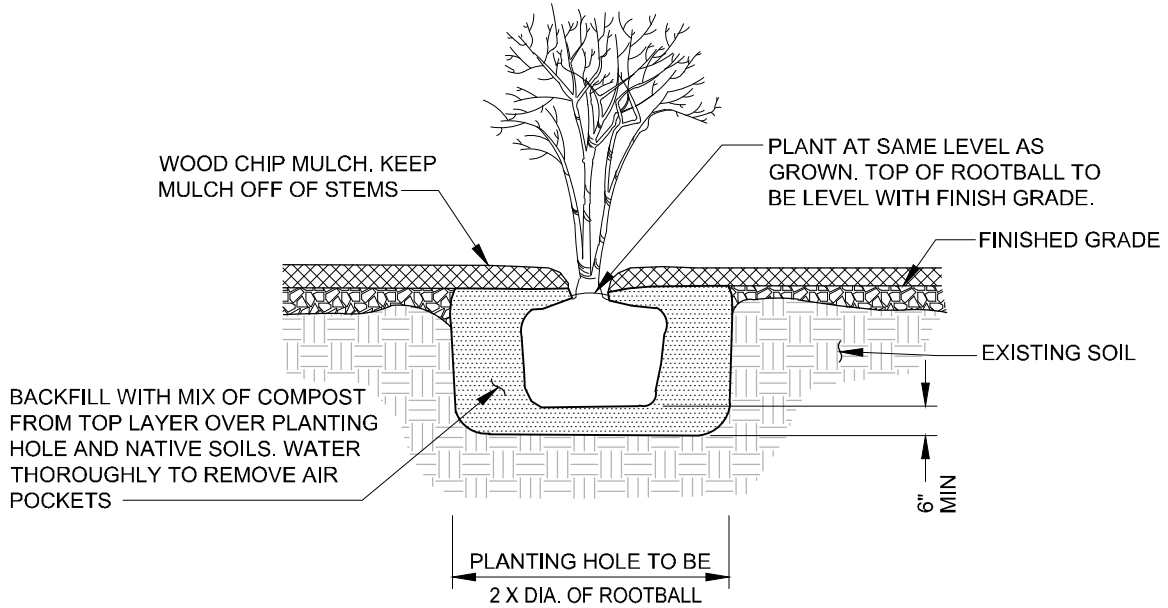
RESTORATION OF TEMP. IMPACTS PLAN

APPLICANT: CITY OF SAMMAMISH

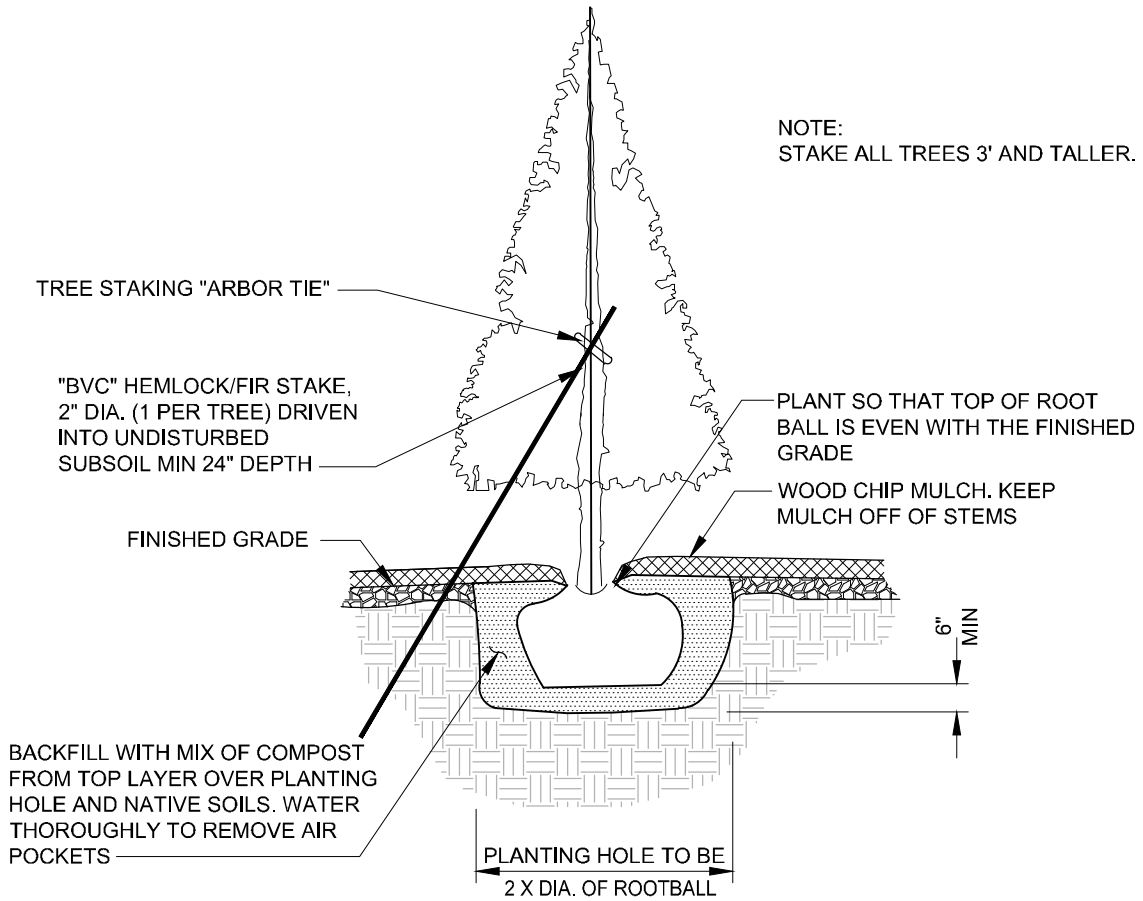
DATUM: VERT: NAVD 88
 HORIZ: NAD 83 (CORPS.)
BASIN: EAST LAKE SAMMAMISH
LOCATION: SAMMAMISH, KING COUNTY WASHINGTON
 S 8, 32, T 25N, R 6E, W.M.
 LATITUDE: 47.6100N
 LONGITUDE: 122.0703W

B

FILE: PS1921075F19103J-01-NEW LAYOUT: 12LANDSCAPE DETAILS1 PATH: C:\PMX\Temp\Ac\Publinh_8228\ PLOTTED BY: miller DATE: Wednesday, May 24, 2017 2:27:31 PM



SHRUB AND SMALL TREE PLANTING



CONIFEROUS TREE PLANTING

PROPOSED PROJECT: ZACKUSE CREEK CULVERT REPLACEMENT AND FISH HABITAT IMPROVEMENT PROJECT

REPLACE DEFICIENT CULVERTS W/ FISH PASSABLE BOX CULVERTS AT EAST LAKE SAMMAMISH TRAIL AND EAST LAKE SAMMAMISH SHORE LN NE. INCLUDES TEMPORARY ACCESS ROUTE FOR RESIDENTS, CONSTRUCTION EQUIPMENT, AND EMERGENCY VEHICLES.

ADJACENT PROPERTY OWNERS: SEE JARPA ATTACHMENT C

REFERENCE NUMBER:

PLANTING DETAILS



APPLICANT: CITY OF SAMMAMISH

DATUM: VERT: NAVD 88
HORIZ: NAD 83 (CORPS.)

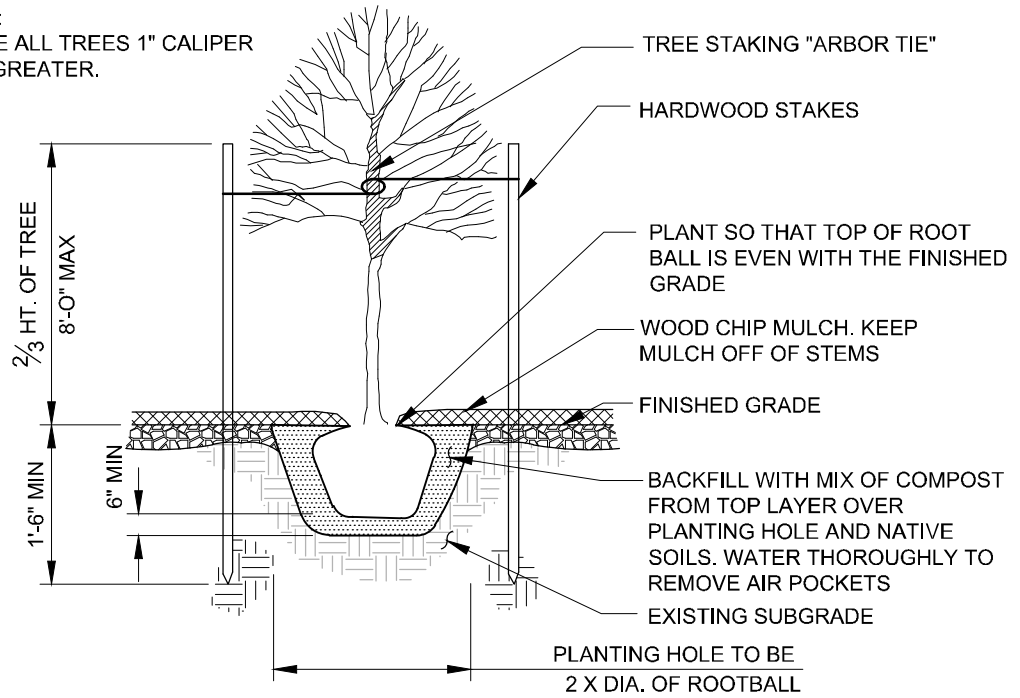
Basin: EAST LAKE SAMMAMISH

LOCATION: SAMMAMISH, KING COUNTY WASHINGTON
S 8, 32, T 25N, R 6E, W.M.
LATITUDE: 47.6100N
LONGITUDE: 122.0703W

DATE: MAY 2017

B

NOTE:
STAKE ALL TREES 1" CALIPER
AND GREATER.



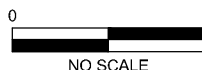
DECIDUOUS TREE PLANTING

TREES		
FRAXINUS LATIFOLIA	OREGON ASH	SPACE TREES 10- FEET ON CENTER
PICEA SITCHENSIS	SITKA SPRUCE	
SALIX L. SSP. LASIANDRA	PACIFIC WILLOW	
SALIX SCOULERIANA	SCOULERS WILLOW	
THUJA PLICATA	WESTERN RED CEDAR	
SHRUBS		
ACER CIRCINATUM	VINE MAPLE	
CORNUS SERICEA	RED-TWIG DOGWOOD	
LONICERA INVOLUCRATA	BLACK TWINBERRY	
PHYSOCARPUS CAPITATUS	PACIFIC NINEBARK	
SALIX HOOKERIANA	HOOKERS WILLOW	
SALIX SITCHENSIS	SITKA WILLOW	
SYMPHORICARPOS ALBUS	SNOWBERRY	

STREAM BUFFER ENHANCEMENT AREA

PROPOSED PROJECT: ZACKUSE CREEK CULVERT REPLACEMENT AND FISH HABITAT IMPROVEMENT PROJECT
REPLACE DEFICIENT CULVERTS W/ FISH PASSABLE BOX CULVERTS AT EAST LAKE SAMMAMISH TRAIL AND EAST LAKE SAMMAMISH SHORE LN NE. INCLUDES TEMPORARY ACCESS ROUTE FOR RESIDENTS, CONSTRUCTION EQUIPMENT, AND EMERGENCY VEHICLES.
ADJACENT PROPERTY OWNERS: SEE JARPA ATTACHMENT C
REFERENCE NUMBER:

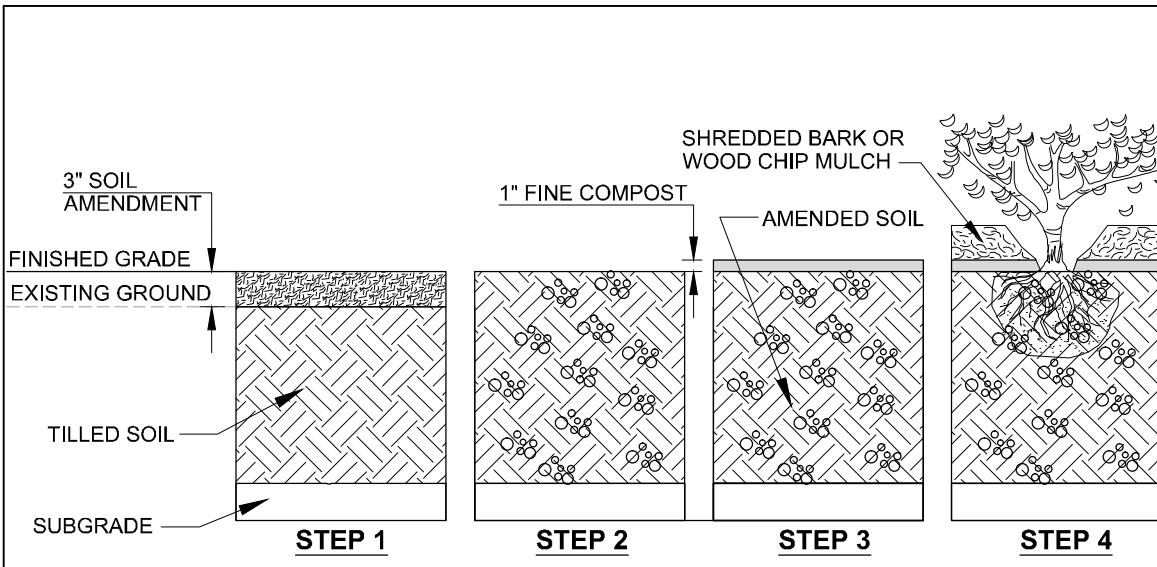
PLANTING DETAILS



APPLICANT: CITY OF SAMMAMISH

DATUM: VERT: NAVD 88
HORIZ: NAD 83 (CORPS.)
BASIN: EAST LAKE SAMMAMISH
LOCATION: SAMMAMISH,
KING COUNTY WASHINGTON
S 8, 32, T 25N, R 6E, W.M.
LATITUDE: 47.6100N
LONGITUDE: 122.0703W
DATE: MAY 2017

B



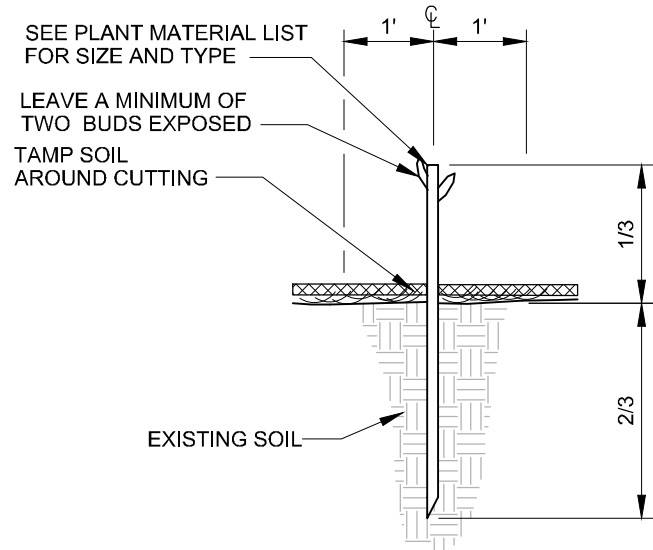
STEP 1
TILL, DISC OR RIP SOIL IN PLANTING AREAS TO 10" DEPTH. PLACE 3" OF SOIL AMENDMENT OVER SOIL SURFACE.

STEP 2
TILL SOIL AMENDMENT INTO TOP 10" OF ENTIRE PLANTING ZONES NATIVE SOIL AFTER CLEARING AND GRUBBING.

STEP 3
INSTALL 1" FINE COMPOST OVER PLANTING AREA WHERE CALLED FOR IN PLANS.

STEP 4
INSTALL PLANTS FOLLOWED BY 3" WOOD CHIP MULCH.

PLANTING AREA SOIL AMENDMENT - SEQUENCE OF WORK



LIVE STAKE INSTALLATION

PROPOSED PROJECT: ZACKUSE CREEK CULVERT REPLACEMENT AND FISH HABITAT IMPROVEMENT PROJECT
REPLACE DEFICIENT CULVERTS W/ FISH PASSABLE BOX CULVERTS AT EAST LAKE SAMMAMISH TRAIL AND EAST LAKE SAMMAMISH SHORE LN NE. INCLUDES TEMPORARY ACCESS ROUTE FOR RESIDENTS, CONSTRUCTION EQUIPMENT, AND EMERGENCY VEHICLES.
ADJACENT PROPERTY OWNERS: SEE JARPA ATTACHMENT C
REFERENCE NUMBER:

PLANTING DETAILS

0 [Scale bar] NO SCALE
APPLICANT: CITY OF SAMMAMISH

DATUM: VERT: NAVD 88
HORIZ: NAD 83 (CORPS.)
BASIN: EAST LAKE SAMMAMISH
LOCATION: SAMMAMISH, KING COUNTY WASHINGTON
S 8, 32, T 25N, R 6E, W.M.
LATITUDE: 47.6100N
LONGITUDE: 122.0703W
DATE: MAY 2017

B