

SIMPLIFIED SITE CONSTRUCTION STORMWATER POLLUTION PREVENTION (CSWPP) PLAN

THIS PLAN IS REQUIRED FOR ALL PROJECTS REQUIRING EITHER A BUILDING PERMIT, COMMERCIAL SITE DEVELOPMENT PERMIT OR CLEARING AND GRADING PERMIT PER SMC 16.15. A SITE INSPECTION IS REQUIRED PRIOR TO START OF WORK ON ALL SITES WITH LAND DISTURBING ACTIVITY.

SCHEDULE A SITE INSPECTION FOR AN ISSUED PERMIT AT (425) 295-0500.

SHOW TEMPORARY AND PERMANENT BEST MANAGEMENT PRACTICES (BMPs) IN THE PLAN VIEW OF THIS SHEET THAT WILL ACCOMPLISH THE FOLLOWING MINIMUM REQUIREMENTS. THE BMPs SHOWN IN THE PLAN VIEW OF THIS PLAN ARE THE MINIMUM REQUIRED. ADDITIONAL BMPs ARE REQUIRED WHEN MINIMUM CONTROLS ARE NOT SUFFICIENT TO PREVENT EROSION OR TRANSPORT OF SEDIMENT OR OTHER POLLUTANTS FROM THE SITE.

- MARK CLEARING LIMITS
- DELINEATE ENVIRONMENTALLY CRITICAL AREAS
- RETAIN TOP LAYER AND NATIVE VEGETATION
- ESTABLISH CONSTRUCTION ACCESS
- PROTECT DOWNSTREAM PROPERTIES AND RECEIVING WATERS
- PREVENT EROSION AND SEDIMENT TRANSPORT FROM THE SITE
- STABILIZE SLOPES
- PROTECT STORM DRAINS
- STABILIZE CHANNEL AND OUTLETS
- CONTROL POLLUTANTS
- CONTROL DEWATERING
- MAINTAIN AND INSPECT BMPs
- EXECUTE CONSTRUCTION STORMWATER CONTROL PLAN
- MINIMIZE OPEN TRENCHES
- PHASE THE PROJECT
- INSTALL PERMANENT FLOW CONTROL AND WATER QUALITY FACILITIES
- PROTECT STORMWATER BMPs PRIOR TO, DURING, AND AFTER CONSTRUCTION

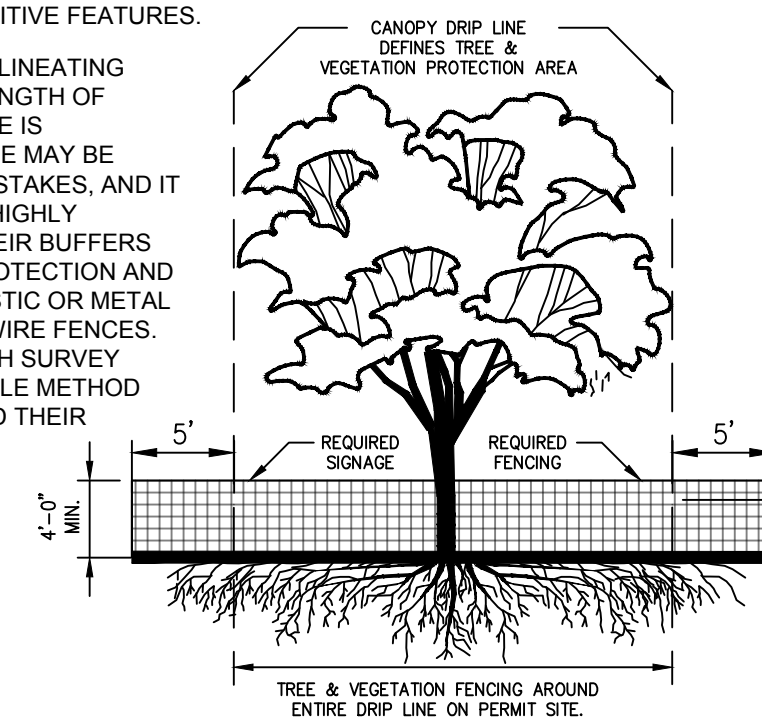
COMPLETE CONSTRUCTION STORMWATER CONTROL BMP DETAILS AND REQUIREMENTS ARE LOCATED IN THE KING COUNTY SURFACE WATER DESIGN MANUAL. SHOW ALL BMPs ON THIS PLAN SHEET THAT WILL BE USED TO ACHIEVE THE REQUIREMENTS ABOVE.

CLEARING LIMITS

PRIOR TO ANY SITE CLEARING OR GRADING, THOSE AREAS THAT ARE TO REMAIN UNDISTURBED DURING PROJECT CONSTRUCTION SHALL BE DELINEATED. AT A MINIMUM, CLEARING LIMITS SHALL BE INSTALLED AT THE EDGES OF ALL CRITICAL AREA BUFFERS AND ANY OTHER AREAS REQUIRED TO BE LEFT UNCLEARED SUCH AS PORTIONS OF THE SITE SUBJECT TO CLEARING LIMITS UNDER SMC 16.15. AREAS AROUND SIGNIFICANT TREES IDENTIFIED TO BE RETAINED PURSUANT TO SMC 21A.37. FLOW CONTROL BMP AREAS TO BE PROTECTED, AND OTHER AREAS IDENTIFIED TO BE LEFT UNDISTURBED TO PROTECT SENSITIVE FEATURES.

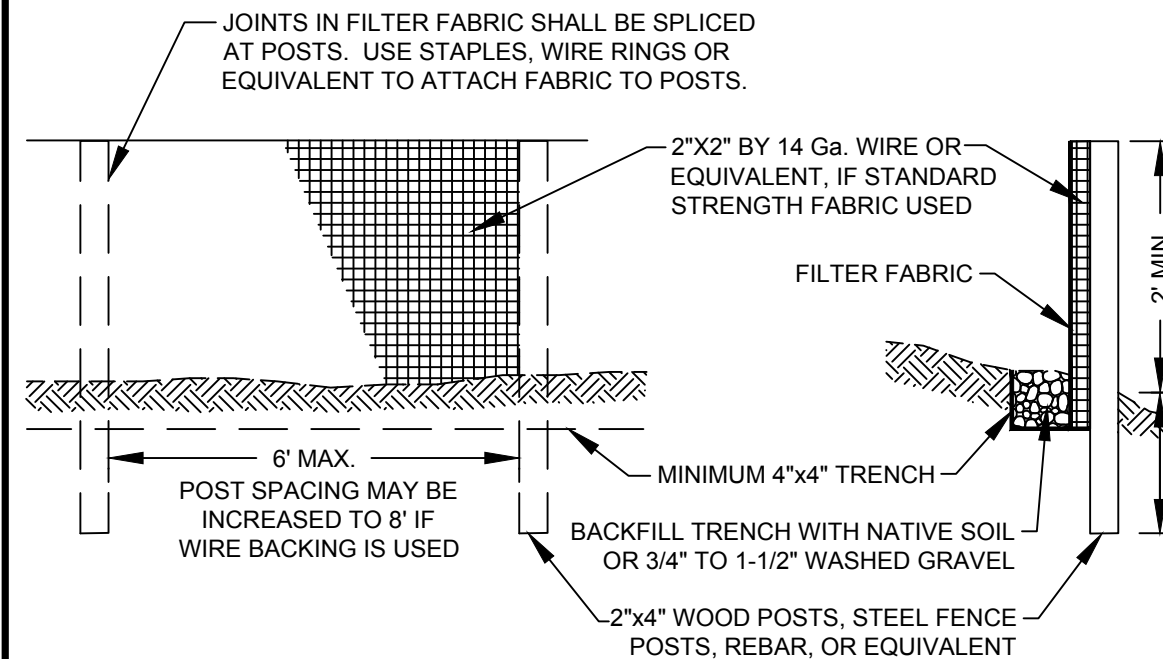
MARKING CLEARING LIMITS BY DELINEATING THE SITE WITH A CONTINUOUS LENGTH OF BRIGHTLY COLORED SURVEY TAPE IS SOMETIMES SUFFICIENT. THE TAPE MAY BE SUPPORTED BY VEGETATION OR STAKES, AND IT SHALL BE 3 TO 6 FEET HIGH AND HIGHLY VISIBLE. CRITICAL AREAS AND THEIR BUFFERS REQUIRE MORE SUBSTANTIAL PROTECTION AND SHALL BE DELINEATED WITH PLASTIC OR METAL SAFETY FENCES OR STAKE AND WIRE FENCES. SILT FENCE, IN COMBINATION WITH SURVEY FLAGGING, IS ALSO AN ACCEPTABLE METHOD OF MARKING CRITICAL AREAS AND THEIR BUFFERS.

CLEARING LIMITS AROUND SIGNIFICANT TREES TO BE INSTALLED FIVE FEET BEYOND THE DRIP LINE.



SYMBOL:

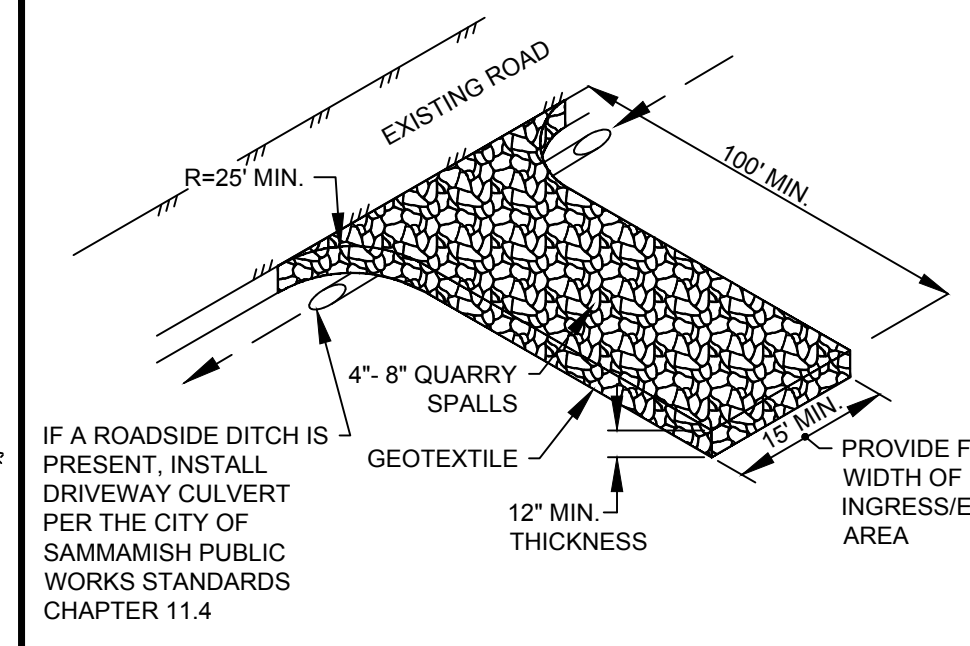
SILT FENCE



NOTE: FILTER FABRIC FENCES SHALL BE INSTALLED ALONG CONTOURS WHENEVER POSSIBLE. SEE THE KING COUNTY SURFACE WATER DESIGN MANUAL, APPENDIX C, SECTION C.3.6 FOR ADDITIONAL DESIGN, INSTALLATION AND MAINTENANCE SPECIFICATIONS.

SYMBOL:

STABILIZED CONSTRUCTION ACCESS

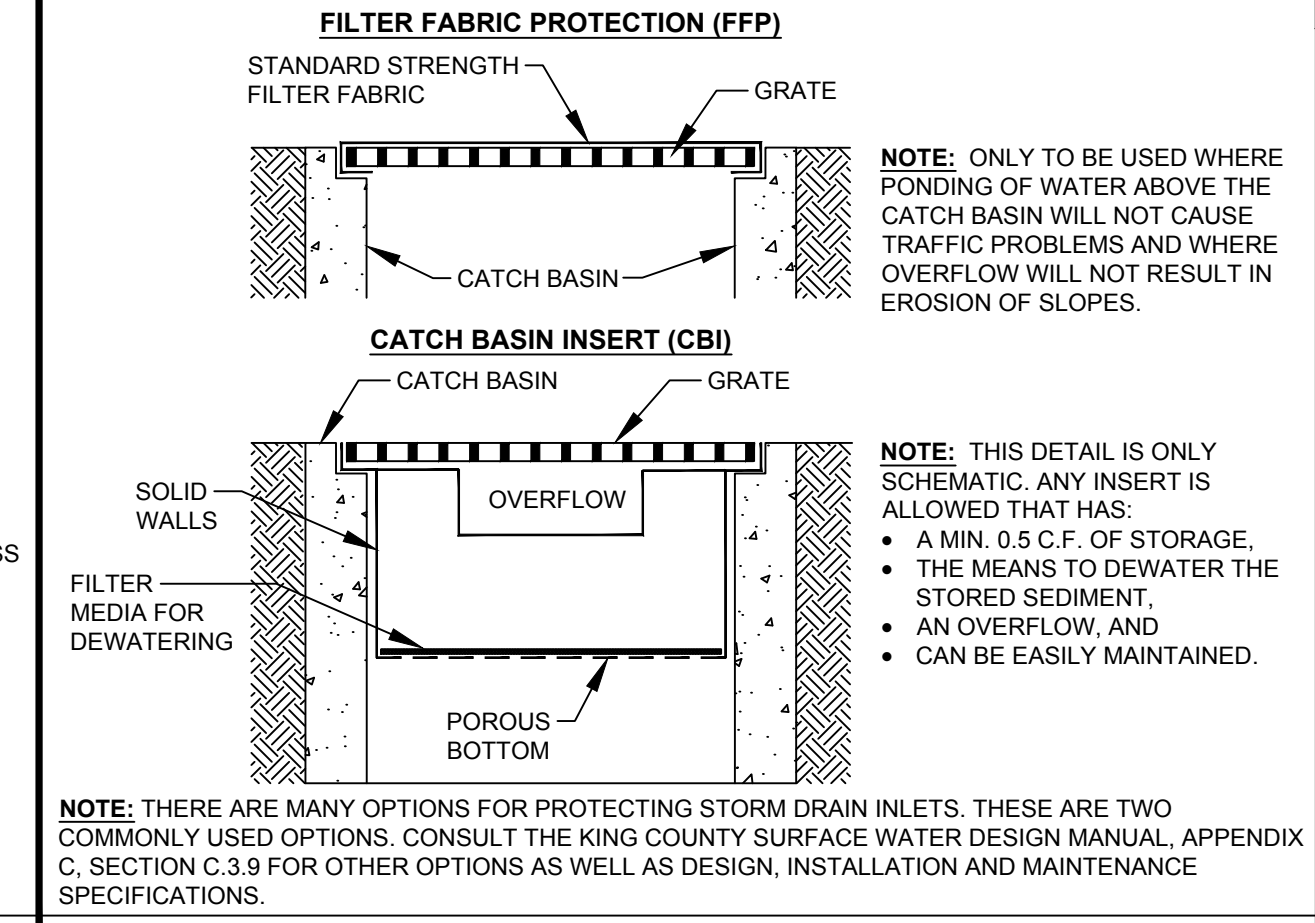


IF A ROADSIDE DITCH IS PRESENT, INSTALL DRIVEWAY CULVERT PER THE CITY OF SAMMAMISH PUBLIC WORKS STANDARDS CHAPTER 11.4

NOTE: PROVIDE FULL WIDTH OF INGRESS/EGRESS AREA

SYMBOL:

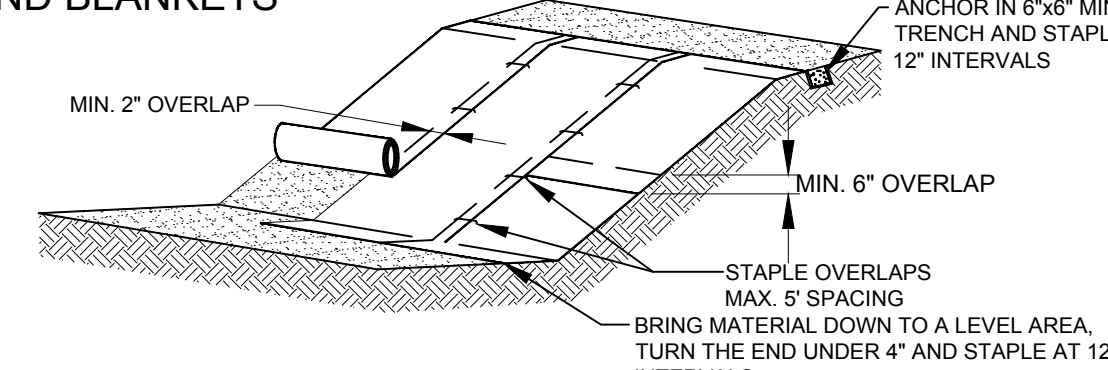
STORM DRAIN INLET PROTECTION



NOTE: THERE ARE MANY OPTIONS FOR PROTECTING STORM DRAIN INLETS. THESE ARE TWO COMMONLY USED OPTIONS. CONSULT THE KING COUNTY SURFACE WATER DESIGN MANUAL, APPENDIX C, SECTION C.3.9 FOR OTHER OPTIONS AS WELL AS DESIGN, INSTALLATION AND MAINTENANCE SPECIFICATIONS.

SYMBOL:

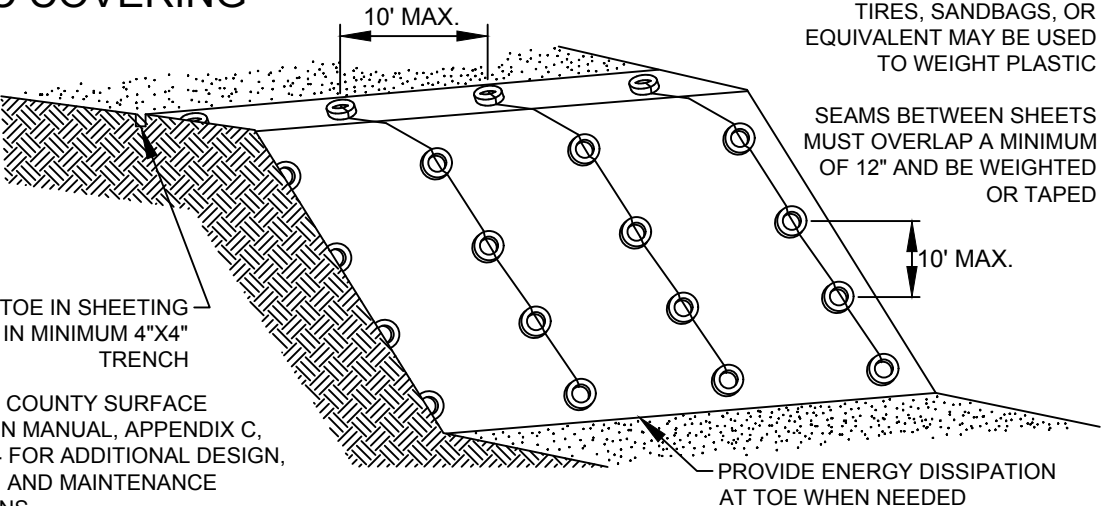
NETS AND BLANKETS



- NOTES:
- DO NOT STRETCH BLANKETS/MATTINGS TIGHT - ALLOW THE ROLLS TO MOLD TO ANY IRREGULARITIES
 - IF THERE IS A BERM AT THE TOP OF SLOPE, ANCHOR UPSLOPE OF THE BERM
 - FOR SLOPES LESS THAN 3H:1V, ROLLS MAY BE PLACED IN HORIZONTAL STRIPS
 - SLOPE SURFACE SHALL BE SMOOTH BEFORE PLACEMENT FOR PROPER SOIL CONTACT
 - STAPLING PATTERN AS PER MANUFACTURERS RECOMMENDATION
 - LIME, FERTILIZE AND SEE BEFORE INSTALLATION. PLANTING OF SHRUBS, TREES, ETC. SHOULD OCCUR AFTER INSTALLATION
 - SEE THE KING COUNTY SURFACE WATER DESIGN MANUAL, APPENDIX C, SECTION C.3.3 FOR ADDITIONAL DESIGN, INSTALLATION AND MAINTENANCE SPECIFICATIONS.

SYMBOL:

PLASTIC COVERING



SEE THE KING COUNTY SURFACE WATER DESIGN MANUAL, APPENDIX C, SECTION C.3.4 FOR ADDITIONAL DESIGN, INSTALLATION AND MAINTENANCE SPECIFICATIONS.

SYMBOL:

CONSTRUCTION STORMWATER CONTROL & POST CONSTRUCTION SOIL MANAGEMENT PLAN

CHECK SCALE USED: ONE SQUARE = ONE FOOT (1"=1')

ONE SQUARE = TWO FEET (1"=2')

ONE SQUARE = FOUR FEET (1"=4')

NORTH ARROW

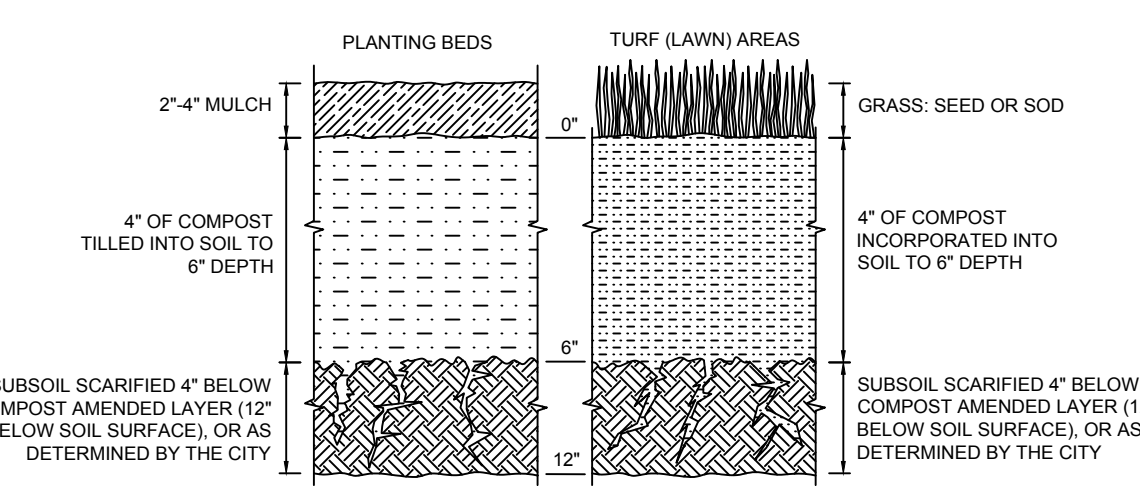
POST CONSTRUCTION SOIL MANAGEMENT PLAN

AT THE END OF PROJECT, ALL AREAS DISTURBED AND NOT COVERED WITH A HARD SURFACE MUST BE AMENDED PER THE SOIL AMENDMENT DETAIL BELOW.

LABEL ALL AREAS DISTURBED AND NOT COVERED WITH A HARD SURFACE WITHIN THE SITE AS ONE OF THE FOLLOWING: SA (SOIL AMENDMENT AREA) OR ND (NON-DISTURBED AREA). SEE DEFINITIONS BELOW. DO NOT REFERENCE AN ALTERNATE PLAN SHEET.

- DEFINITIONS:**
- NON-DISTURBED AREA (ND): VEGETATED AREAS THAT WILL NOT BE SUBJECT TO LAND DISTURBING ACTIVITY (SEE D) DO NOT REQUIRE SOIL AMENDMENT IF THEY ARE FENCED AND CONTINUOUSLY PROTECTED THROUGHOUT CONSTRUCTION. THE FENCING MUST BE IN PLACE AT THE FIRST GROUND DISTURBANCE INSPECTION. THIS WILL BE MONITORED BY THE CITY OF SAMMAMISH SITE INSPECTOR. NO DISTURBANCE, INCLUDING VEHICLE TRAFFIC OR MATERIAL STORAGE, IS ALLOWED IN THESE AREAS UNTIL FINAL INSPECTION. LABEL THESE AREAS AS (ND) IN THE PLAN VIEW.
 - SOIL AMENDMENT AREA (SA): VEGETATED OR COMPOST AREAS (TURF AND LANDSCAPE) MUST BE AMENDED PER THE SOIL AMENDMENT DETAIL AND THE SPECIFICATIONS IN THE KING COUNTY SURFACE WATER DESIGN MANUAL. THIS INCLUDES AREAS IMPACTED BY CLEARING AND GRADING, STOCKPILING, SITE ACCESS, PATHWAYS AND MATERIALS OR EQUIPMENT STORAGE. LABEL THESE AREAS AS (SA) IN THE PLAN VIEW.

SOIL AMENDMENT



- NOTES:
- POST CONSTRUCTION SOIL AMENDMENT IS REQUIRED ON ALL AREAS NOT COVERED BY IMPERVIOUS SURFACE WHERE SOIL IS DISTURBED DURING CONSTRUCTION.
 - SEE KING COUNTY SURFACE WATER DESIGN MANUAL, REFERENCE 11C FOR SOIL AMENDMENT COMPOST SPECIFICATIONS.

SYMBOL: AREA REQUIRING SOIL AMENDMENT NON-DISTURBED AREA (SOIL AMENDMENT NOT REQUIRED)

TEMPLATE VERSION: 2017-04-07

STANDARD CONSTRUCTION STORMWATER CONTROL (CSC) AND POST CONSTRUCTION SOIL MANAGEMENT (SOIL) PLAN

APPLICANT PLAN SET

CITY OF SAMMAMISH PUBLIC WORKS DEPARTMENT



Project Number: _____

Address: _____

PUBLIC WORKS APPROVAL STAMP

DATE: 00/00/0000

STANDARD CSC/SOIL PLAN

SHEET CSC